



NVR18-256

256 Channel Intelligent Analytics Network Video Server



Key Features:

- 256 Camera Capacity NVR
- 4x Gigabit LAN ports & 2x SFP Gigabit ports
- 4x HDMI outputs 1x 7K HD output & 2x 4K HD output
- 1x 7K HD output & 2x 4K HD output
- 16MP Full 7K Resolution Camera Support
- Intelligent Analytics
- License Plate Recognition
- Supports Infinity *ULTRA* Facial Recognition Cameras
- Up to 32 streaming channels of Facial Recognition
- 36 Faces-per-second processing
- Up to 10,000 on board Faces Storage Database
- 16x SATA Hard Drive Bay; 12TB each drive
- RAID 0, 1, 5, 6, 10; 2x eSATA

Product Overview

Infinity Network Video Recorders (NVRs) supported the latest H.265+ encoding technology, bringing high efficient video compression and maintaining quality. It saves network bandwidth and storage, whilst being energy-saving design to enhance the surveillance system. Any ONVIF compliant camera that supports this compression can be used in a 'plug n play' fashion.

Features

Facial Recognition & Detection

When used with Infinity Facial Recognition Cameras you can stream up to 8 simultaneous channels of Facial Recognition and keep an on board database of up to 10,000 saved Faces. Setup alerts for unknown faces/strangers and for known felons.

License Plate Recognition

When used with Infinity License Plate Cameras, the recorder can detect, display and store license plates. You can set rules to allow/deny license plates from having access (such as access control), perform searches on the license plate database, display live/recorded license plates and even import and export license plates with third party systems.

Time & Attendance

Turn your Infinity NVR into a clock-in system to record your workers time and attendance records. Their faces can be saved into the NVR database and can be used for recording their clock-in and clock-out times; you can calculate payroll and holiday and sickness allowances automatically with visual proof and records.

Body Thermography

When use with Infinity Body Temperature cameras, you can display thermal and temperature properties of subjects in view and save these into the NVR database. Therefore you facial records and time & attendance

Smart Encode (H.265+)

Deliver high quality video without straining the network, Smart Encode H.265+ is the optimized implementation of H.265. The Smart H.265+ encoding technology includes a scene adaptive encoding strategy, dynamic GOP, dynamic ROI, flexible multi-frame reference structure and intelligent noise reduction, providing saving of up to 70% of bandwidth and storage when compared with standard H.265.

HEVC (H.265)

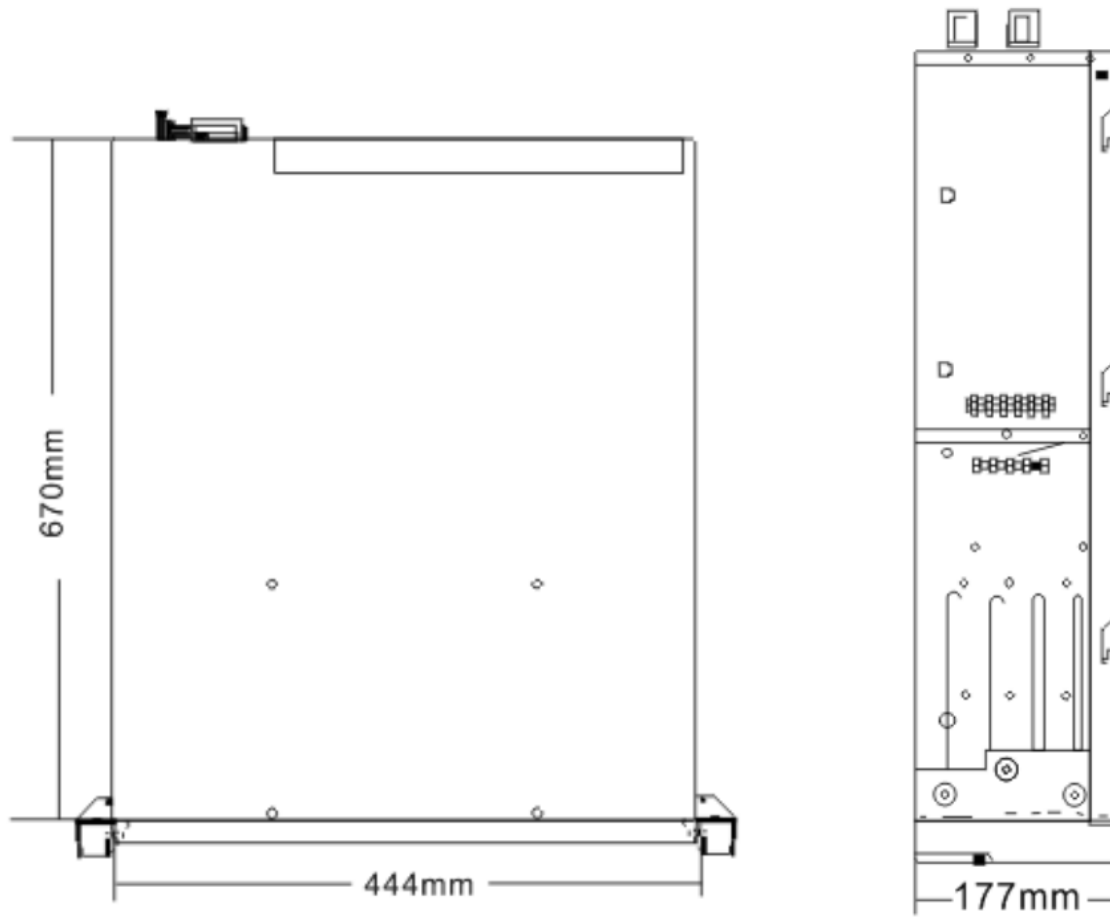
H.265 ITU-T VCEG is a new video coding standard. H.265 Following standard developed around the existing video coding standard H.264, some retain the original technology, while some of the relevant technology to improve the new technology uses advanced technology to improve the relationship between the code stream, encoding quality, and the delay between algorithm complexity, optimize settings specific contents include: Improve compression efficiency, improve the robustness and error recovery capabilities, real-time to reduce the delay, reduce channel acquisition time and a random access delay, reduce complexity.

Technical Specification

| System | |
|----------------------|--|
| Operating System | Embedded Linux |
| Camera Capacity | 256 |
| HDD Capacity | 16 |
| Storage Capacity | 12TB per drive |
| Web Browser | Microsoft Edge, IE11, Google Chrome, Firefox |
| CMS Software | Infinity VMS Lite - Ultra |
| Cloud Support (P2P) | Yes |
| Smart Phone App | iOS / Android |
| Languages | Arabic, Bulgarian, Chinese, Czech, Dutch, English, Farsi, French, German, Greek, Hebrew, Hungarian, Italian, Korean, Polish, Romanian, Russian, Spanish, Thai, Turkish |
| Recording & Playback | |
| Compressions | H.265+ / H.265 / H.264+ / H.264 / H.265s |
| Resolutions | 16MP 7K; 12MP 4K; 8MP 4K 2160P; 5MP 2592 x 1944; 4MP 2688 x 1520; 3MP 2048 x 1536; 1080P 1920 x 1080; 1280 x 960; 720P 1280 x 720; VGA 640x 480 |
| Recording Modes | Select from: Schedule, Manual, Motion Detection |
| Playback | 1 cam / 4 cam / 8 cam / 9 cam / 16 cam / 32 cam / 64 cam |
| Search Modes | All, by Channel, Manual, by Time/Date, VMD, Face |
| Playback Functions | Play, Pause, Stop, Fast Play, Digital Zoom |
| Display | |
| No. of Outputs | 5 |
| HD Output 1 | 7K 7680 x 430 / 4K 3840 x 2160 / FHD 1920 x 1080 / HD 1280 x 720 |
| HD Output 2 & 3 | 4K 3840 x 2160 / 1920 x 1080 / 1280 x 720 |
| HD Output 4 | 1920 x 1080 / 1280 x 720 |
| VGA Output 1 | 1920 x 1080 / 1280 x 1024 / 1280 x 720 / 1024 x 768 |
| BNC Output | N/A |
| Display Type | Single Camera / Split screens |
| Display Splits | 1 cam / 4 cam / 8 cam / 9 cam / 16 cam / 32 cam / 64 cam |
| Zoom | Digital |
| Digital Zoom | Yes |
| OSD Support | Yes |
| OSD Options | Camera Title/ID, Time/Date, Recording, Motion Detection |

| Audio | |
|--------------------------------|---|
| Compression/Rate | G.711u, G.711a, ADPCM_DVI4 |
| Audio I/O | 1 RCA input; 1x RCA Output (1kΩ) (mic in/audio out) |
| Network | |
| Protocols: | IPv4/IPv6, 802.1x, HTTP, HTTPS, TCP/IP, UDP/IP, RTSP, DHCP, NTP, RTCP/RTP, PPPoE, SMTP, DNS, UPnP, FTP, ARP, SNMP |
| Internal Bandwidth | 768Mbps |
| ONVIF Support | ONVIF 2 or later |
| Intelligence | |
| Detection | Video Motion Detection (VMD), Facial Recognition, Time & Attendance, ULTRA Video Analytics |
| Facial Detection & Recognition | |
| Performance | Up to 20 faces per second detection & recognition |
| Search | Search for recorded or stranger image by an image / image properties |
| Management | Up to 16 face databases with 10,000 total saved faces |
| Trigger Events | Buzzer, Alarm Output, Compare results in real time |
| License Plate Recognition | |
| Comparisons | License plates captured in real-time; license plates can be displayed as live detections or search results (by channel, time, expiration time, the plate etc) |
| Search | Search for license plates by image and/or reg plate |
| Management | Up to 32 license plate libraries; up to 10,000 record plates in total / plates can be imported and exported |
| Time & Attendance | |
| Manage Data | Attendance recorded by stored faces in database, perform searches and attendance details |
| Rules & Library | Check-in and check-out |
| Interface | |
| Ethernet | 4x Ethernet (10/100/1000 Base-T) RJ-45 Connector 2x Gigabit SFP ports |
| Audio Interface | 1x Input / 1x Output |
| Alarm | 24x Input / 8x Output |
| RS485 | Support |
| RAID | On board RAID 5 / 6 / 10 Support |
| USB & eSATA | 1 USB 3.0 , 2 USB 2.0, 2x eSATA |
| Electrical | |
| Power | 230V AC / <30W (without HDD) +1 |
| Dimensions | 444mm x 670mm x 177mms |
| Operating Temperature | Temperature: -10°C ~ 55°C / Less than 90% RH |
| Certifications | CE / FCC |
| Casing | Metal |

Dimensions



Rear Panel