



NWBSU-5T512-iXP

5MP Optical and Thermal A.I Intelligent Analytics Network Bullet Camera



Key Features:

- 640x512 Thermal Resolution Image Sensor
- $\leq 40\text{mK}$ Sensitivity
- $12\mu\text{m}$ Vox Focal Plane Detector
- 9.1mm or 25mm Thermal Lens Options
- 5MP Progressive Scan CMOS Optical Sensor
- 4mm or 12mm Optical Lens Option
- 70m IR LEDs
- 10 Spot Views / 2 Lines
- 10 Areas of Temperature Detection
- 1x Alarm Input, 1x Alarm Output
- Intelligent Video Analytics (IVA)
- IP67

Product Overview

Infinity Thermal Cameras allow clients to measure temperature changes on their sites to allow for long distance detection of potential threats and to achieve real-time activation on any potential security breaches on a perimeter. By using heat, not visuals, any potential intruder is potentially picked up as their body or vehicle temperature signatures immediately alter the scene. This range has world-leading features such as PoE and intelligent video analytics techniques.

Features

Multiple Detections

In any scene you can pinpoint on specific areas of interest to monitor even the slightest changes in temperature and receive immediate notifications if an object is potentially a threat.

Intelligent Video Analytics (IVA)

With built-in intelligent video analytics, the camera has the ability to detect and analyze moving objects for improved video surveillance. The camera provides optional standard intelligence at the edge allowing detection of Perimeter, Single Virtual Fences, Double Virtual Fences, Loitering, Multiple Loiterers, Objects Abandoned, Objects Removed, Abnormal Speed, Converse, Illegal Parking, Bad Signal.

Environmental

With a temperature range of -40 °C to +60 ° the camera is designed for extreme temperature environments. Subjected and certified to rigorous dust and water immersion tests, the IP67 rating makes it suitable for demanding outdoor applications.

A Lens For Any Application

With multiple lens options, clients can have views of great width or incredibly zoomed in. This allows for large areas to be surveyed at once, or for specific areas such on a perimeter for even the slightest movement of temperature changes that may be potential security threats to measure with incredible accuracy and pinpoint precision.

HEVC (H.265)

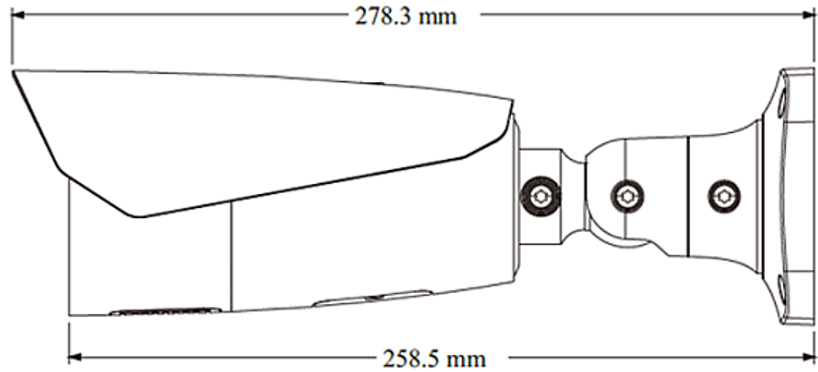
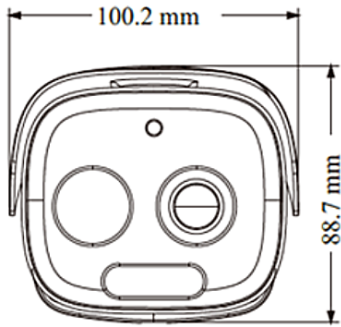
H.265 ITU-T VCEG is a new video coding standard. H.265 Following standard developed around the existing video coding standard H.264, some retain the original technology, while some of the relevant technology to improve the new technology uses advanced technology to improve the relationship between the code stream, encoding quality, and the delay between algorithm complexity, optimize settings specific contents include: Improve compression efficiency, improve the robustness and error recovery capabilities, real-time to reduce the delay, reduce channel acquisition time and a random access delay, reduce complexity.

Technical Specification

Thermal Camera		
Detector Type	Uncooled IRFPA Microbolometer	
Effective Pixels	640(H)x512(V)	
Pixel Size	12µm	
NETD Sensitivity	≤40mK @ F1.0	
Spectral Range	8-14µm	
Color Palettes	Black-Hot /White-Hot/Rainbow/Iron-Red	
Thermal Lens		
Lens Type	Fixed	
Focus Control	Manual Focus	
Focal Length	9.1mm	25mm
Angle of View	48° x 38°	17° x 14°
DORI Fire (1m x 1m)	500m / 200m / 60m	1200m / 400m / 200m
DORI Man (1.8m x 0.5m)	400m / 100m / 50m	1100m / 300m / 150m
DORI Vehicle (4m x 1.5m)	1200m / 300m / 150m	3200m / 850m / 450m
Optical Video		
Compression	H.265, MJPEG	
Max. Resolution	2592*1944	
Streaming Capability	Up to 5 streams	
Stream / Frame Rate	Main Streams: 2688x1520/2592x1520/1080P @25/30fps Sub Streams: 720P/VGA/CIF/QVGA @ 25/30fps Third Stream: QVGA @ 25/30fps	
Bit Rate Control	CBR/VBR	
Bit Rate	256kbps~8000kbps	
Zoom	16x Digital Zoom	
Areas of Interest	10 Rectangular Zones	
Temp Zone	10 Temperature Zones	
Motion Detection	Support	
Enhancement	Privacy Masking, 120dB+ WDR, HLC, AGC	
Alarms	Motion Detection, Disk Alarm, I/O Alarm, Temperature Detection Alarm	
Optical Lens		
Lens Type	Fixed	
Focus Control	Fixed	
IR LED	Support Smart IR 2.0 up to 70m	
Focal Length	4mm	12mm
Angle of View	81° x 56°	26° x 19°

Audio	
Compression	G.711, RAW_PCM
Bit Rate	64Kbps (G.711)
Network	
Protocols:	IPv4/IPv6, 802.1x, HTTP, HTTPS, TCP/IP, UDP/IP, RTSP, DHCP, NTP, RTPC/RTP, PPPoE, SMTP, DNS, UPnP, FTP, ARP, SNMP
Interoperability	ONVIF
Streaming Method	Unicast
Max. User Access	10 Users
Web Viewer	<IE11, Chrome, Firefox
Management Software	Infinity VMS Lite / VMS Free
Smart Phone	IOS, Android
Intelligence	
IVS	Perimeter Detection, Line Crossing, Facial Detection & Recognition, Heat Map, People Counting, Human & Vehicle Detection, Illegal Parking detection, Heat Map
Temperature Detection	3 Detection Modes (Spot, Line, Area), Over Temperature, Temperature Difference, 10 points / 2 lines / 10 regions rules
Performance	Temperature Detection Range -20°C ~ 150°C // ±5% accuracy
Interface	
Ethernet	1 Ethernet (10/100 Base-T) RJ-45 Connector
Audio Interface	1x Input, 1x Built-in Speaker
Alarm	4x Input, 4x Output
RS485	N/A
BNC Output	Support
Reset Button	Support
Edge Storage	Mini SD Card Slot 256GB Support
Electrical	
Power Supply	12V DC / PoE
Power Consumption	Max 9W
Operating Temperature	-40°C ~ 60°C
Operating Humidity	Less than 90% RH
Ingress Protection	IP67
Certifications	CE / FCC / Directive EU RoHS / WEEE / directive 94/62/EC and REACH
Net Weight	1.2Kg

Dimensions(mm)



Accessories

Optional:



NWT-JBVF
Junction Box



NWT-PLMVF
Pole Mount

Ordering Information

Camera Lens	Part Code	Description
	NWT-1F-XP8	Thermal: 640x512 8mm Fixed lens
	NWT-1F-XP15	Thermal: 640x512 15mm Fixed lens
	NWT-1F-XP25	Thermal: 640x512 25mm Fixed lens
	NWT-1F-XP35	Thermal: 640x512 35mm Fixed lens
	NWT-1F-XP50	Thermal: 640x512 50mm Fixed lens